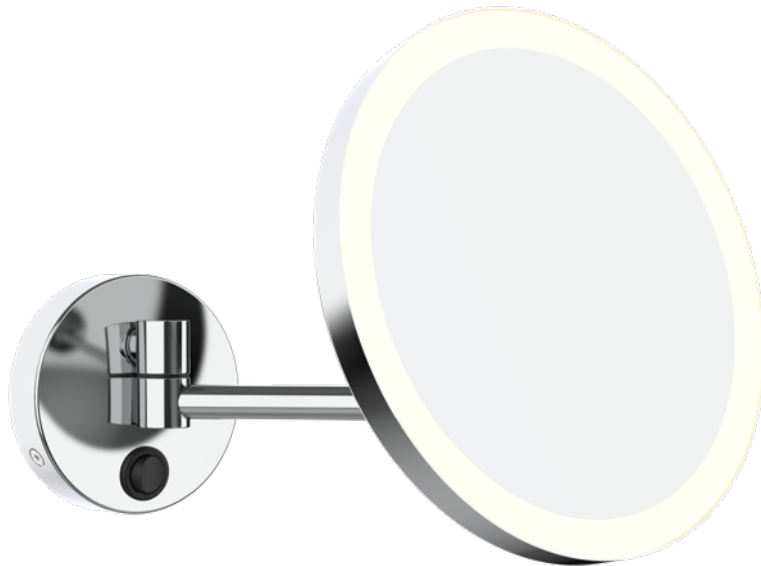


Product Details

Magnifying Mirrors Lighted

MY

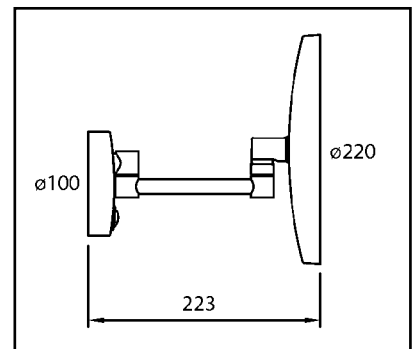


- Single arm
- SMD-LED-lighting - brighter focused light
- Energy saving
- Maintenance free - up to 50.000 hours
- Warm white light, 3500-4000 K
- 3 x magnification
- Multiple vertical, pivotal and swing arm adjustments
- Class I
- 100-250 V - LED 6W



► Hard wire application:

Code	Version	
020843	chrome	ø 220 mm



Cleaning Instructions - Magnifying Mirrors:

- **Mirror Lens**
Wipe down with a light solution of soap suds. Do NOT use sponges or cloths that may damage the surface. Wipe with a damp cloth. Polish with a dry soft cotton cloth.
- **Chrome Trim & Arms**
Do NOT use any cleaners containing acids, ammonia or abrasives. The use of such products even in a diluted form may damage the finish.