

Product Details

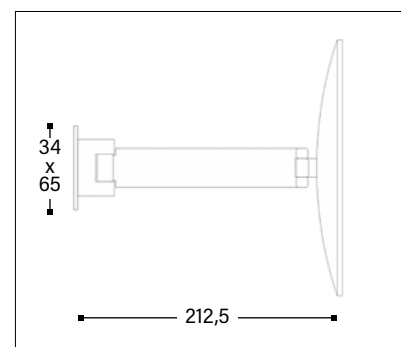
Magnifying Mirrors Unlighted

FACE



- Single arm
- 3x magnification
- Full pivotal adjustment
- Covered backplate
- Adapter plate for improved stability, 65 x 34 x 2,5 mm

Code	Version	
020831	chrome	ø 200 mm



Cleaning Instructions - Magnifying Mirrors:

- **Mirror Lens**
Wipe down with a light solution of soap suds. Do NOT use sponges or cloths that may damage the surface. Wipe with a damp cloth. Polish with a dry soft cotton cloth.
- **Chrome Trim & Arms**
Do NOT use any cleaners containing acids, ammonia or abrasives. The use of such products even in a diluted form may damage the finish.