

Product Details

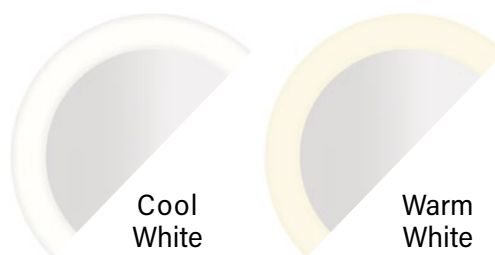
Magnifying Mirrors Lighted

LED MOON DANCE

For Aliseo by sieger design



T³Technology
Two-Tone-Touch Control

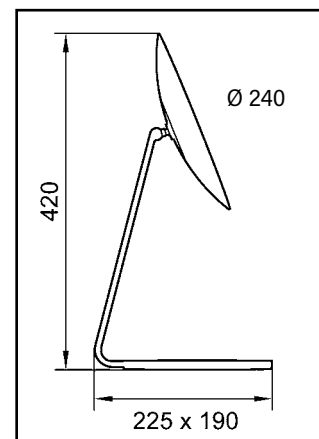


- Free standing
- SMD-LED-lighting
 - Warm white light, 3500-4000 K
 - Cool white light, 5000-5500 K
- Maintenance free - 50.000 hours lifespan
- Translucent acrylic frame
- 3 x magnification
- Hi-tech touch control
- Full pivotal adjustment
- Non-skid base
- Brass construction
- Class I
- 100-240 V



- ▶ With straight cord and EU flat plug:

Code	Version	
020759	chrome	ø 240 mm



Cleaning Instructions - Magnifying Mirrors:

- **Mirror Lens**
Wipe down with a light solution of soap suds. Do NOT use sponges or cloths that may damage the surface. Wipe with a damp cloth. Polish with a dry soft cotton cloth.
- **Chrome Trim & Arms**
Do NOT use any cleaners containing acids, ammonia or abrasives. The use of such products even in a diluted form may damage the finish.