

Product Details

Hotel Hair Dryers

PHOENIX - S



- For wall mounting
- Integrated schuko socket (220-250 V / 16 A / 3600 W)
- Two heat/speed settings 600/1200 W
- Ergonomical safety release button
- Safety screws
- Integrated overheating and circuit protection
- Double insulated (Class II)
- 220-250 V, 50/60 Hz



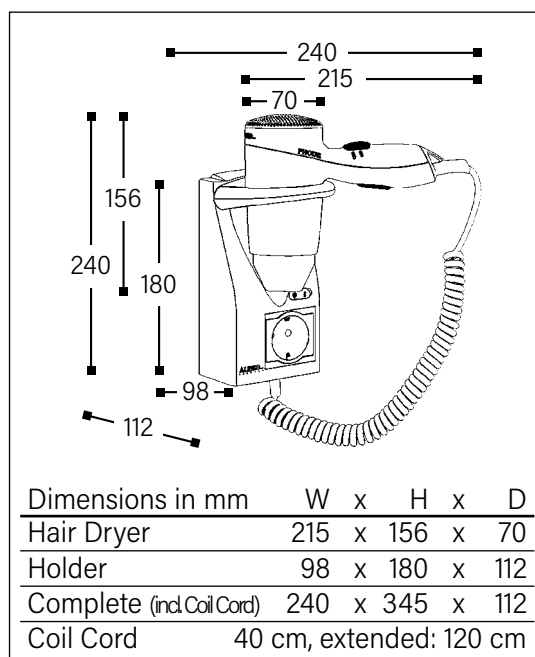
- ▶ Hard wire application:

Code	Colour	Heat / Speed Settings
010221	white/grey	600/1200 W

- ▶ 110 V version upon request

Cleaning Instructions - Hair Dryer:

- Disconnect the hand dryer from the power supply.
- Wipe the case of the hairdryer with a damp (NOT wet) cloth.
- Polish with a dry cotton cloth.



ALISEO GmbH · Leutkirchstraße 63 · 77723 Gengenbach

Tel. +49 (0) 7803-60279-0

Fax +49 (0) 7803-60279-30

E-Mail: info@aliseo.de · Internet: www.aliseo.de

ALISEO GmbH
G E R M A N Y